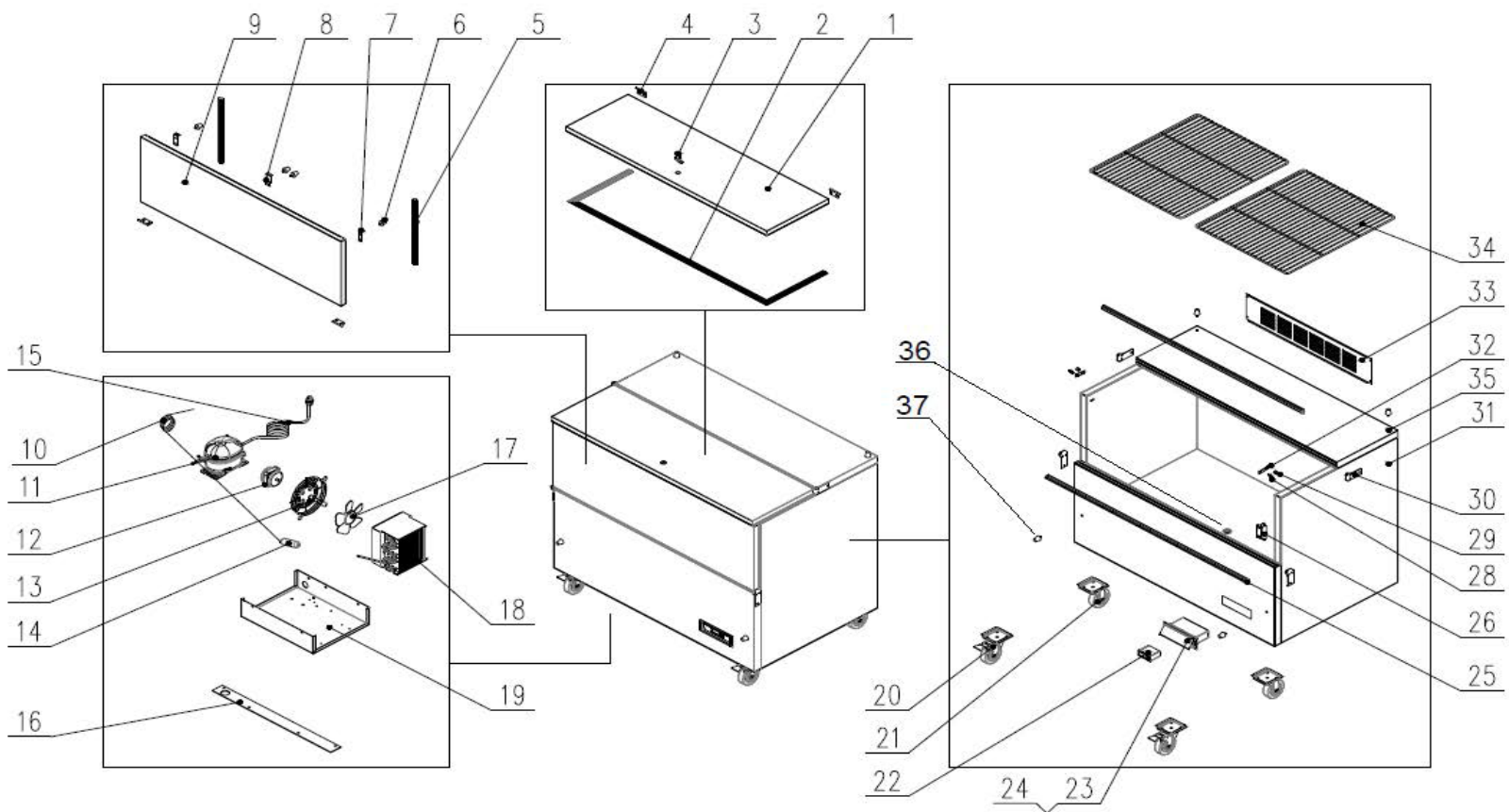


**Spare Parts List**

NO	DESCRIPTION	Serial #	QTY	COMPONENT PNC	Model Number	Model PNC
1	TOP LID	<23120379	1PC	0USM55	KCHMC34	738275
		≥23120379	1PC	0USDSN	KCHMC34	738275
2	TOP SEAL	<23120379	1PC	0USM58	KCHMC34	738275
		≥23120379	1PC	0USDSO	KCHMC34	738275
3	LOCK (with Key)	ALL	1PC	0USM61	KCHMC34	738275
4	DOOR HINGE	<23120379	4PCS	0USM62	KCHMC34	738275
		≥23120379	4PCS	0USDT2	KCHMC34	738275
5	DOOR SEAL	<23120379	2PCS	0USM63	KCHMC34	738275
		≥23120379	2PCS	0USDUQ	KCHMC34	738275
6	LOCATION KNOB	ALL	4PCS	0USH46	KCHMC34	738275
7	HOOK PLATE	ALL	2PCS	0USM64	KCHMC34	738275
8	LOCK HOOK	ALL	1PC	0USM65	KCHMC34	738275
9	FRONT DOOR	<23120379	1PC	0USM66	KCHMC34	738275
		≥23120379	1PC	0USE0A	KCHMC34	738275
10	CAPILLARY	ALL	1PC	0USM53	KCHMC34	738275
11	COMPRESSOR	ALL	1PC	0USF28	KCHMC34	738275
11a	COMPRESSOR ELECTRICAL COMPONENT SET	ALL	1PC	0USDF5	KCHMC34	738275
12	CONDENSER FAN	ALL	1PC	0USF40	KCHMC34	738275
13	BASKET GUARD GRILLS	ALL	1PC	0USDIJ	KCHMC34	738275
14	FILTER DRIER	ALL	1PC	0USG65	KCHMC34	738275
14a	DRIER SUPPORT	<402320047	0PC	N/A	KCHMC34	738275
		≥402320047	1PC	0USI78	KCHMC34	738275
15	PLUG	ALL	1PC	0USH67	KCHMC34	738275
16	CONNECTION PLATE	ALL	2PCS	0USM70	KCHMC34	738275
17	CONDENSER FAN BLADE	ALL	1PC	0USC4J	KCHMC34	738275
18	CONDENSER	ALL	1PC	0USF34	KCHMC34	738275
19	UNIT BOARD	ALL	1PC	0USM71	KCHMC34	738275
20	BRAKE WHEEL	ALL	2PCS	0USF04	KCHMC34	738275
21	NORMAL WHEEL	ALL	2PCS	0USH64	KCHMC34	738275
21a	Castor Mounting Bolt (4-PACK)	ALL	4PC	0USC2T	KCHMC34	738275
21b	Castor Mounting Locking Washer (4-PACK)	ALL	4PC	0USC2Z	KCHMC34	738275
21c	Castor Mounting Flat Washer (4-PACK)	ALL	4PC	0USC2Y	KCHMC34	738275
22	Thermostat - Full Set	<14920713	1PC	0USDAE	KCHMC34	738275
22a	THERMOSTAT CONTACTOR	<14920713	1PC	0USC6J	KCHMC34	738275
22b	THERMOSTAT DISPLAY	<14920713	1PC	0USN67	KCHMC34	738275
22c	Thermostat Components	<14920713	1PC	0USDAA	KCHMC34	738275
22	TEMPERATURE CONTROLLER	≥14920713	1PC	0USDEV	KCHMC34	738275
22a	Inner Chest Temperature Sensor Probe	ALL	1PC	0USC4D	KCHMC34	738275
22b	Evaporator Temperature Sensor Probe	ALL	1PC	0USC6S	KCHMC34	738275
23	THERMOSTAT BOX ; black	ALL	1PC	0USJ38	KCHMC34	738275
24	THERMOSTAT COVER	ALL	1PC	0USJ39	KCHMC34	738275
25	FRONT SEAL	ALL	2PCS	0USM72	KCHMC34	738275
26	Sensor Fixed Clip	ALL	1PC	0USM10	KCHMC34	738275
28	LOCATION AXIS	ALL	2PCS	0USM75	KCHMC34	738275
29	ROTATING AIXS	ALL	2PCS	0USM76	KCHMC34	738275
30	HINGE PLATE	<23120379	4PCS	0USM77	KCHMC34	738275
30	HINGE PLATE RIGHT	≥23120379	2PCS	0USD29	KCHMC34	738275
30a	HINGE PLATE LEFT	≥23120379	2PCS	0USDYT	KCHMC34	738275
30b	Axis Sleeve / Hinge Bushing	ALL	4PCS	0USE4R	KCHMC34	738275

31	BODY	ALL	1PC	N/A	KCHMC34	738275
31a	DRAIN PIPE	ALL	1PC	0USM54	KCHMC34	738275
32	HOOK	ALL	2PCS	0USM78	KCHMC34	738275
33	UNIT ROOM COVER	ALL	1PC	0USM79	KCHMC34	738275
34	FLOOR PROTECTER SHELF	ALL	2PCS	0USN14	KCHMC34	738275
35	FIXED TOP	ALL	1PC	0USC4Y	KCHMC34	738275
36	DRAIN PLUG	ALL	1PC	0USE4P	KCHMC34	738275
36a	O-RING FOR DRAIN	ALL	1PC	0USE4Q	KCHMC34	738275
37	LOCATION KNOB (TALL)	ALL	4PCS	0USC4X	KCHMC34	738275



EXPLODE OF **KCHMC34/49/58**